

# Motor for general environment

PSM60S SERIES

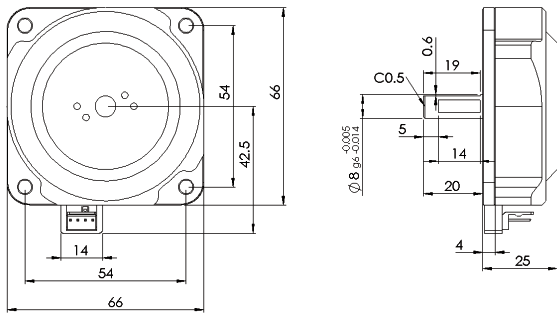
## PSM60S-A



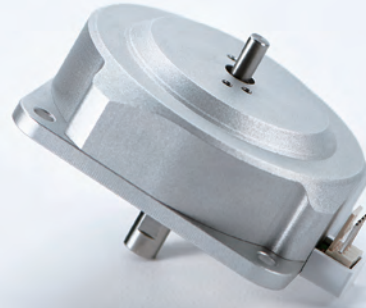
Sensorless single-shaft motor for general environment.

The minimum size in PSM 60S series.

It is suitable for positioning using a sensor mounted on the device or as an intermittent same action motor with a timer.

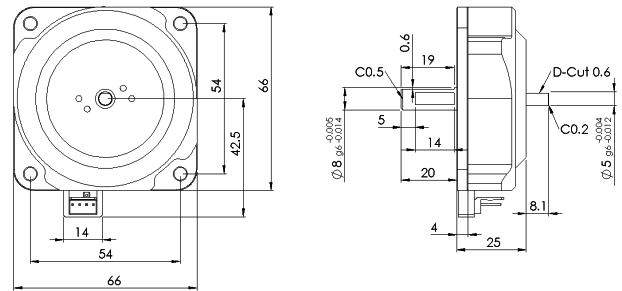


## PSM60S-B

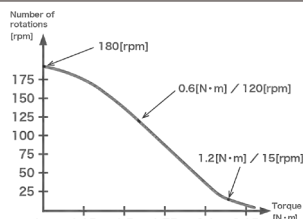


Sensorless double-shaft motor for general environment.

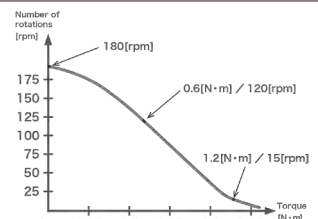
It has a sub shaft for directly attaching external sensors made by other companies to the motor. Control using the encoder and tacho generator becomes possible.



Model Name	Single-shaft motor PSM60S-A
Drive Frequency	40~45 [KHz]
Drive Voltage	130 [Vrms]
Rated Speed	120 [rpm]
Maximum Speed	180 [rpm]
Rated Torque	0.6 [N·m]
Maximum Torque	1.2 [N·m]
Holding Torque	1.2 [N·m]
Direction & Response	CW, CCW, Less than 1 [ms] (No-load)
Temperature Range	-10 ~ +55 [°C]
Life Time	3,000 [Hours]
Size(W×D×H)	66×66×45 [mm]
Weight	230 [g]
Encoder resolution	Without encoder, single-shaft
Minimum Accuracy	Depends on external sensor



Model Name	Double-shaft motor PSM60S-B
Drive Frequency	40~45 [KHz]
Drive Voltage	130 [Vrms]
Rated Speed	120 [rpm]
Maximum Speed	180 [rpm]
Rated Torque	0.6 [N·m]
Maximum Torque	1.2 [N·m]
Holding Torque	1.2 [N·m]
Direction & Response	CW, CCW, CW, CCW, Less than 1 [ms] (No-load)
Temperature Range	-10 ~ +55 [°C]
Life Time	3,000 [Hours]
Size(W×D×H)	66×66×53 [mm]
Weight	233 [g]
Encoder resolution	Without encoder, double-shaft
Minimum Accuracy	Depends on external sensor



# Motor for general environment

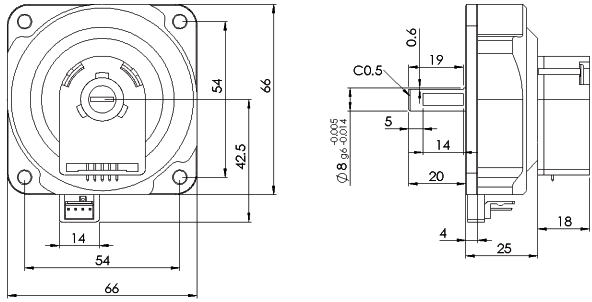
PSM60S SERIES

## PSM60S-E



Motor with 500 p/r encoder for general environment. Equipped with 500 pulse/turn TTL signals output encoder.

Motor position and speed can be controlled with accuracy of  $\pm 0.18^\circ$  (Multiplying by 4 times). It is ideal as a motor for transfer equipment using ball screws.

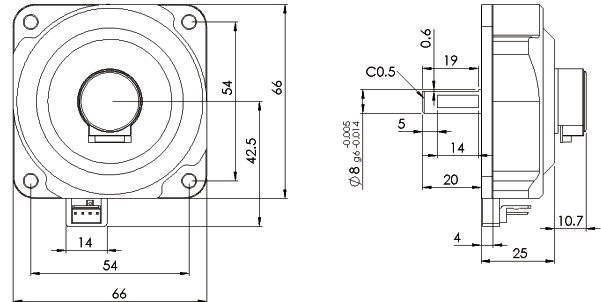


## PSM60S-ET

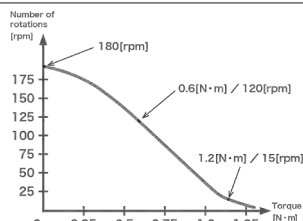


Motor with 1,000 p/r encoder for general environment. Equipped with 1,000 pulse/turn TTL signals output encoder.

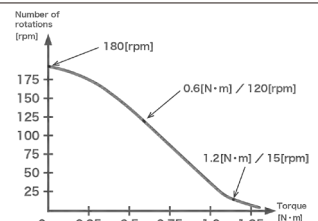
Motor position and speed can be controlled with accuracy of  $\pm 0.09^\circ$  (Multiplying by 4 times). It is ideal as a motor for transportation equipment such as high-precision positioning stages.



Model Name	Motor with 500 p/r encoder PSM60S-E
Drive Frequency	40~45 [KHz]
Drive Voltage	130 [Vrms]
Rated Speed	120 [rpm]
Maximum Speed	180 [rpm]
Rated Torque	0.6 [N·m]
Maximum Torque	1.2 [N·m]
Holding Torque	1.2 [N·m]
Direction & Response	CW, CCW, Less than 1 [ms] ( No-load )
Temperature Range	-10 ~ +55 [°C]
Life Time	3,000 [Hours]
Size(W×D×H)	66×66×63 [mm]
Weight	250 [g]
Encoder resolution	500 [p/r]
Minimum Accuracy	0.18°



Model Name	Motor with 1,000 p/r encoder PSM60S-ET
Drive Frequency	40~45 [KHz]
Drive Voltage	130 [Vrms]
Rated Speed	120 [rpm]
Maximum Speed	180 [rpm]
Rated Torque	0.6 [N·m]
Maximum Torque	1.2 [N·m]
Holding Torque	1.2 [N·m]
Direction & Response	CW, CCW, Less than 1 [ms] ( No-load )
Temperature Range	-10 ~ +55 [°C]
Life Time	3,000 [Hours]
Size(W×D×H)	66×66×56 [mm]
Weight	240 [g]
Encoder resolution	1,000 [p/r]
Minimum Accuracy	0.09°



# Motor for general environment

PSM60S SERIES

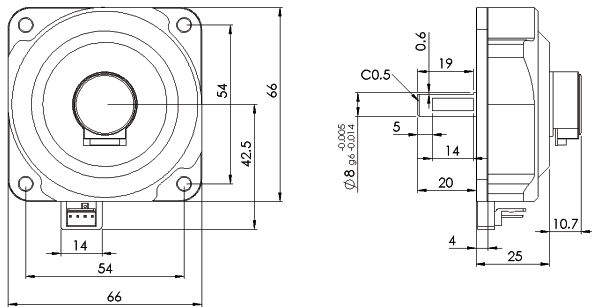
## PSM60S-E2T



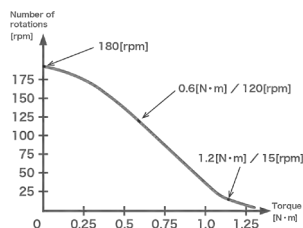
Motor with 2,000 p/r encoder for general environment. Equipped with 2,000 pulse/turn TTL signals output encoder.

Motor position and speed can be controlled with accuracy of  $\pm 0.045^\circ$  (Multiplying by 4 times).

It is ideal as a motor for ultra-high precision indexing equipment.



Model Name	Motor with 2,000 p/r encoder PSM60S-E2T
Drive Frequency	40~45 [KHz]
Drive Voltage	130 [Vrms]
Rated Speed	120 [rpm]
Maximum Speed	180 [rpm]
Rated Torque	0.6 [N·m]
Maximum Torque	1.2 [N·m]
Holding Torque	1.2 [N·m]
Direction & Response	CW, CCW, Less than 1 [ms] ( No-load )
Temperature Range	-10 ~ +55 [°C]
Life Time	3,000 [Hours]
Size(W×D×H)	66×66×56 [mm]
Weight	240 [g]
Encoder resolution	2,000 [p/r]
Minimum Accuracy	0.045°



# Motor for magnetic field environment

PSM60N SERIES

## PSM60N-A

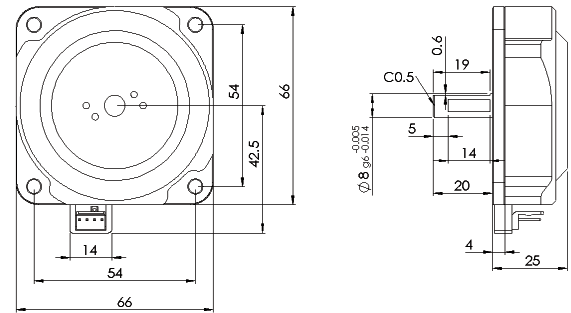


Sensorless single-shaft motor for magnetic field environment.

Applicable to 3 [T] magnetic field environment.

Minimum size for PSM 60 N series.

It is ideal as a positioning and transport motor using sensors installed in devices such as MRI and elemental analyzers that are used in high-magnetic field.



Model Name	Single-shaft motor PSM60N-A
Drive Frequency	40~45 [KHz]
Drive Voltage	130 [Vrms]
Rated Speed	120 [rpm]
Maximum Speed	180 [rpm]
Rated Torque	0.6 [N·m]
Maximum Torque	1.2 [N·m]
Holding Torque	1.2 [N·m]
Direction & Response	CW, CCW, Less than 1 [ms] ( No-load )
Temperature Range	-10 ~ +55 [°C]
Life Time	3,000 [Hours]
Size(W×D×H)	66×66×45 [mm]
Weight	230 [g]
Encoder resolution	Without encoder, single-shaft
Minimum Accuracy	Depends on external sensor

